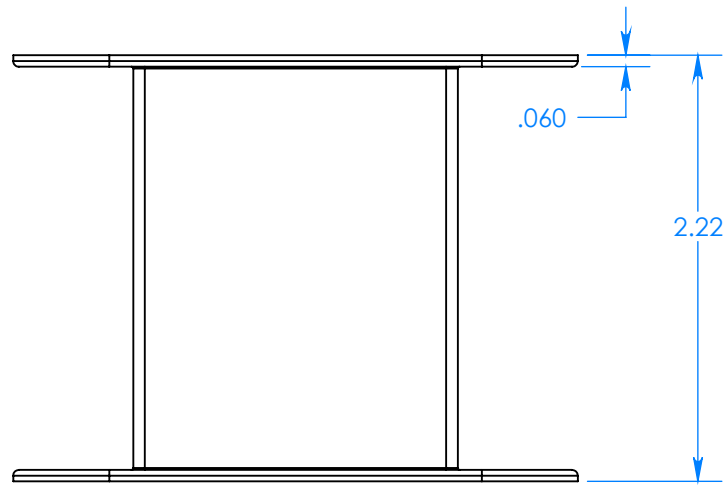
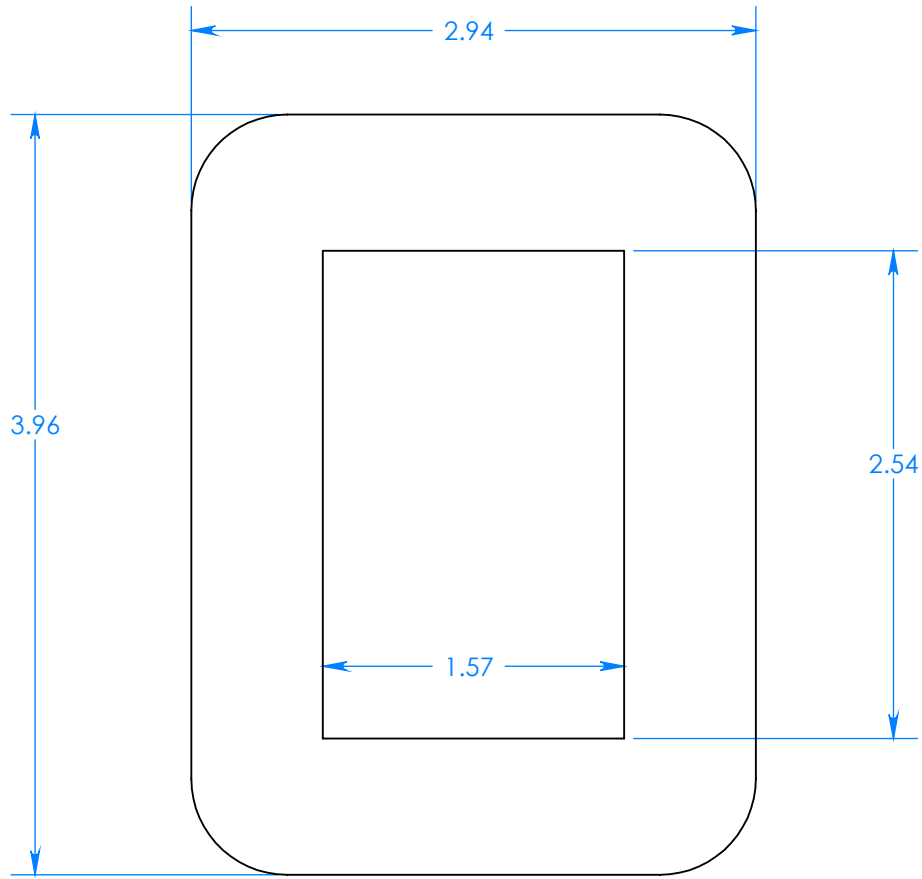
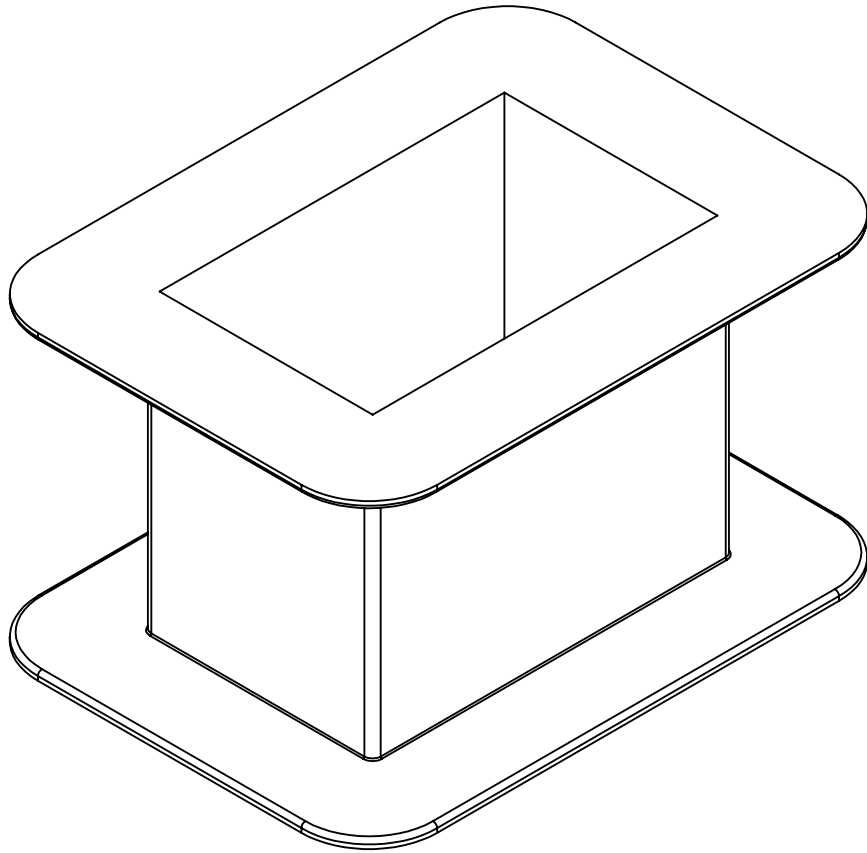


EI 150 x 2-1/2  
5-3092



All dimensions for reference only. Samples available upon request.  
Foremost Plastic Products Company, inc. Phone 1-708-452-5300  
E-Mail: sales@foremostplastic.com Fax 1-708-452-0446

EI 150 x 2-1/2  
5-3092



All dimensions for reference only. Samples available upon request.  
Foremost Plastic Products Company, inc. Phone 1-708-452-5300  
E-Mail: [sales@foremostplastic.com](mailto:sales@foremostplastic.com) Fax 1-708-452-0446