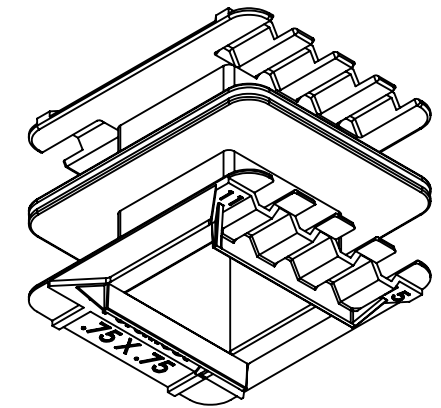
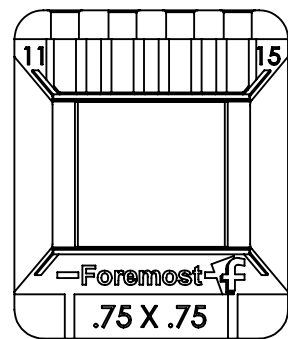
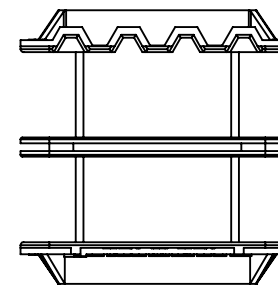
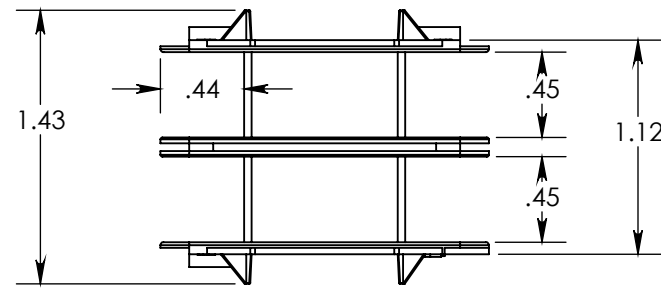
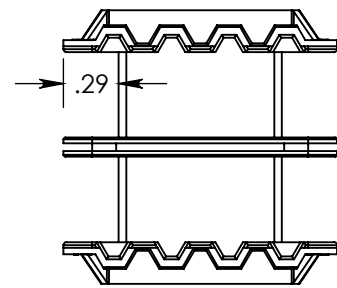
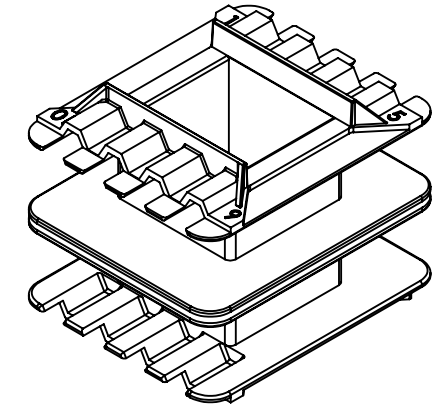
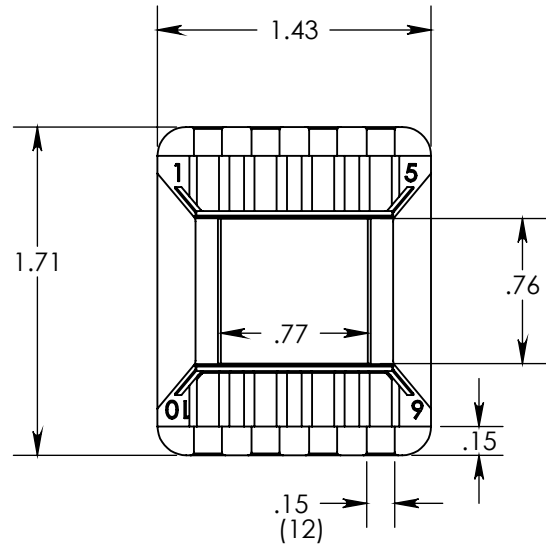


EI 75 x 3/4
 5-6012 SL-SDS
 Slotted, Split Double Section



All dimensions for reference only. Samples available upon request.
 Foremost Plastic Products Company, inc. Phone 1-708-452-5300
 E-Mail: sales@foremostplastic.com Fax 1-708-452-0446