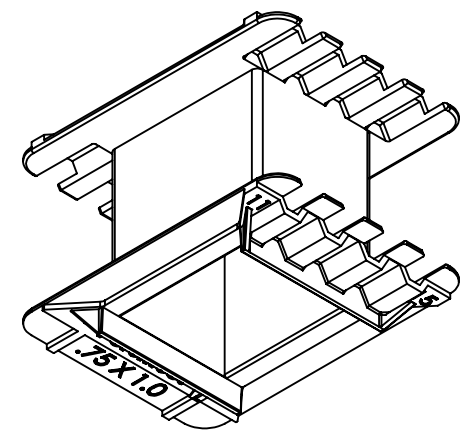
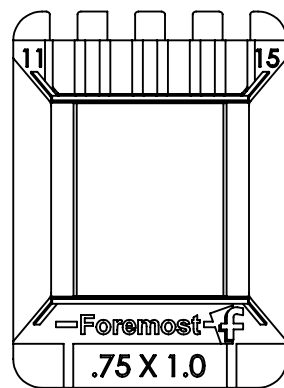
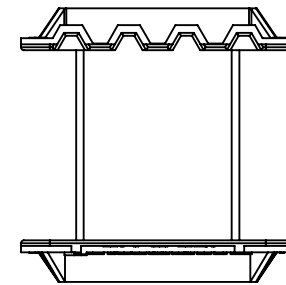
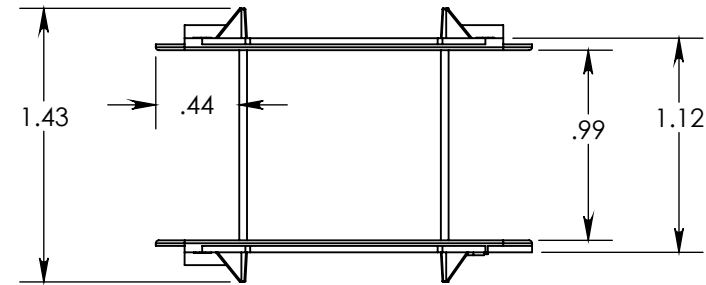
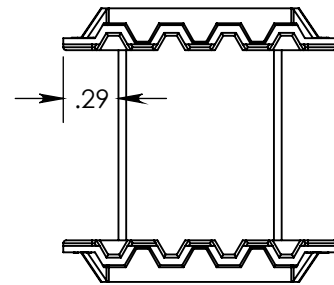
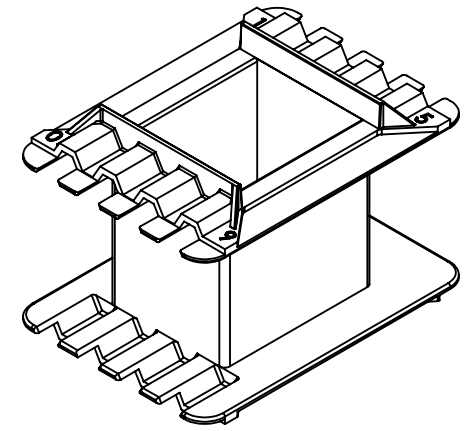
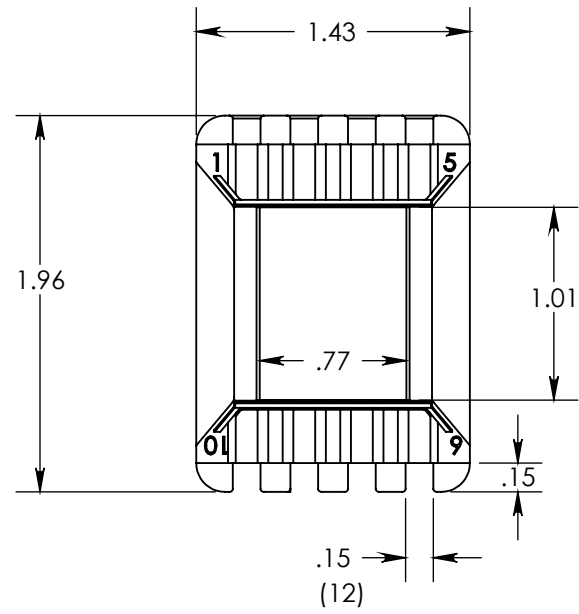


El 75 x 1  
5-6020 SL-SS  
Slotted, Single Section



All dimensions for reference only. Samples available upon request.  
Foremost Plastic Products Company, inc. Phone 1-708-452-5300  
E-Mail: sales@foremostplastic.com Fax 1-708-452-0446