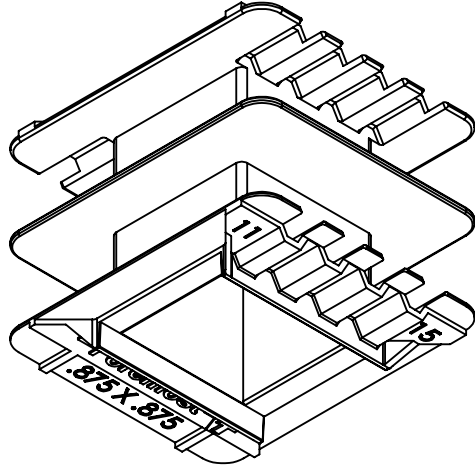
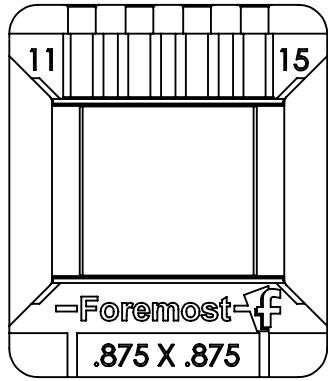
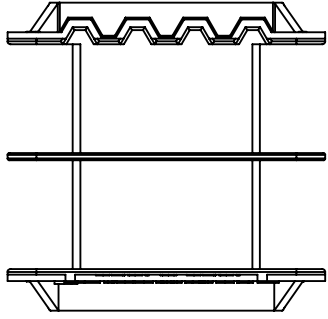
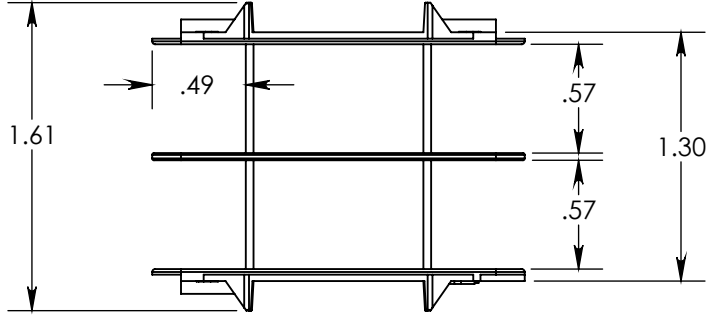
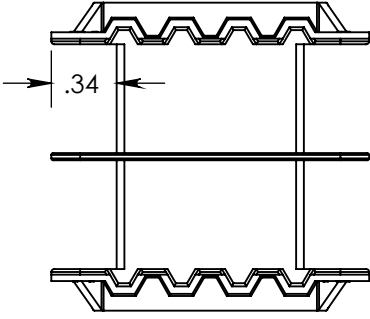
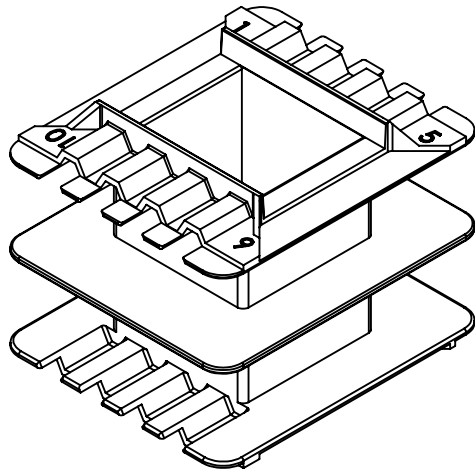
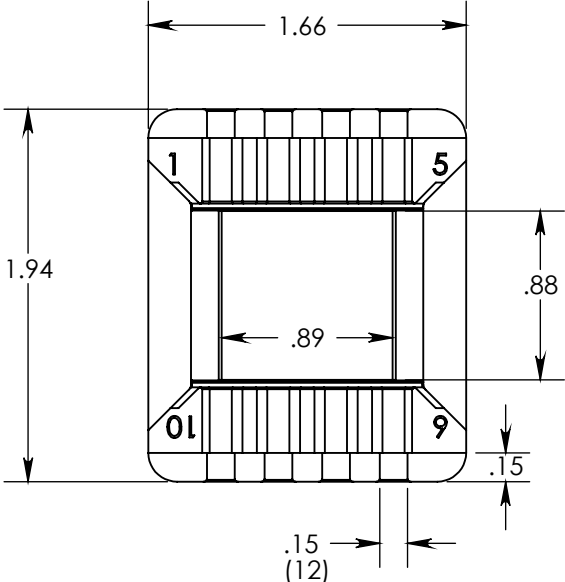


El 87 x 7/8
 5-6031 SL-DS
 Slotted, **D**ouble **S**ection



All dimensions for reference only. Samples available upon request.
 Foremost Plastic Products Company, inc. Phone 1-708-452-5300
 E-Mail: sales@foremostplastic.com Fax 1-708-452-0446