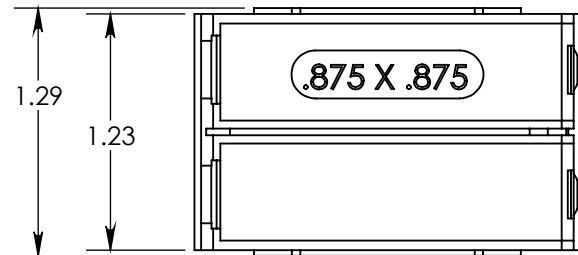
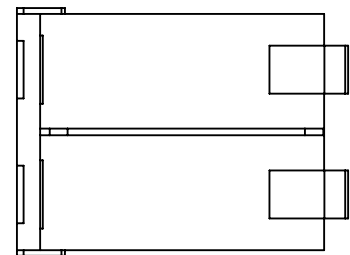
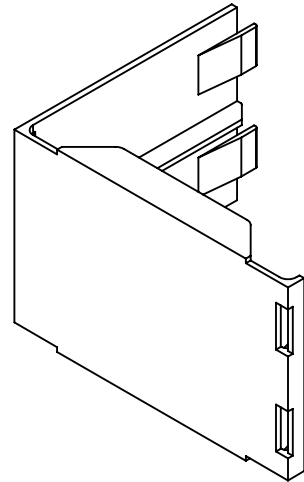
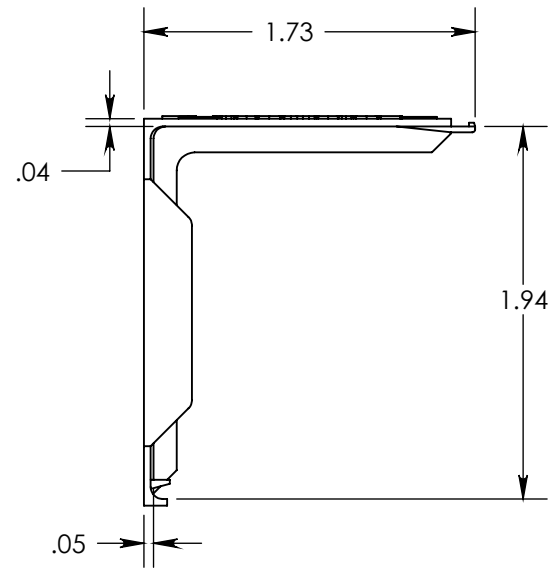
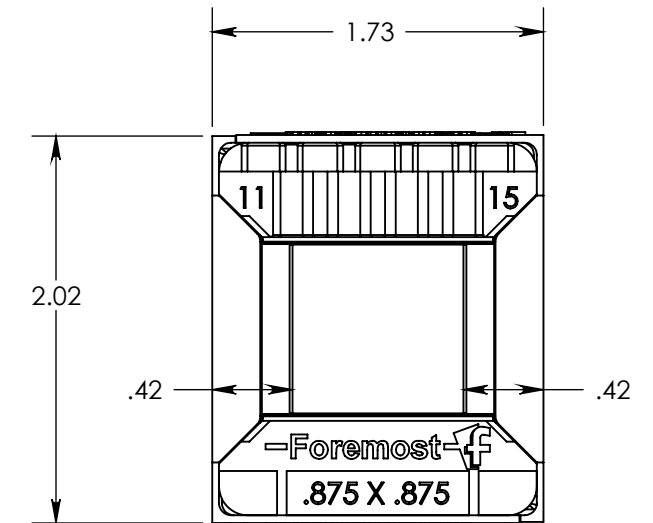
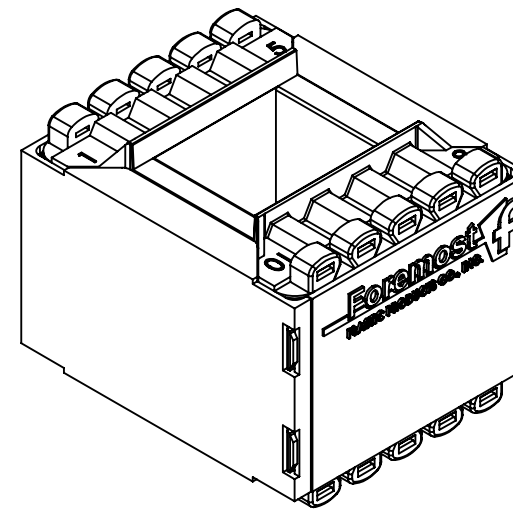
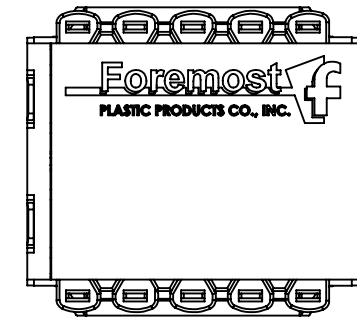
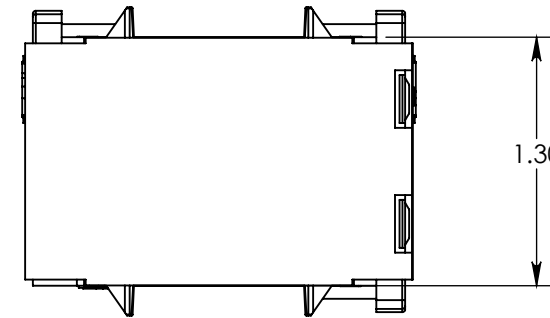


El 87 x 7/8
5-6039



5-6037 and 6039
assembled



All dimensions for reference only. Samples available upon request.
Foremost Plastic Products Company, inc. Phone 1-708-452-5300
E-Mail: sales@foremostplastic.com Fax 1-708-452-0446