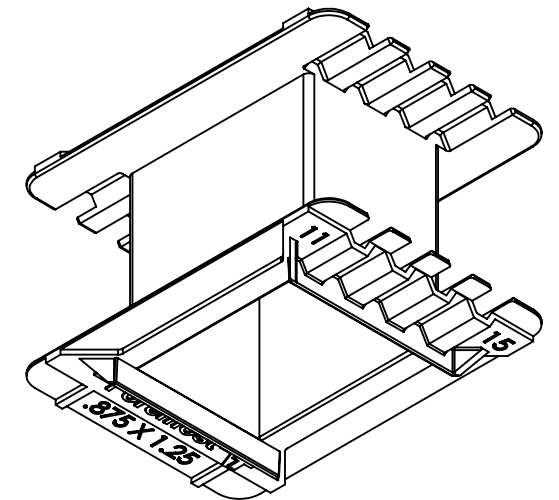
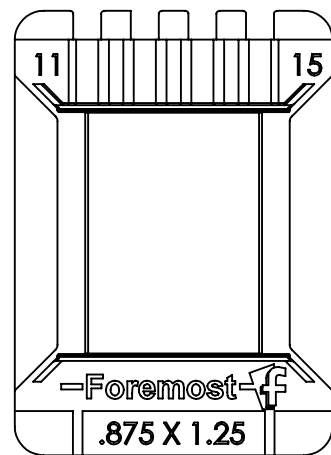
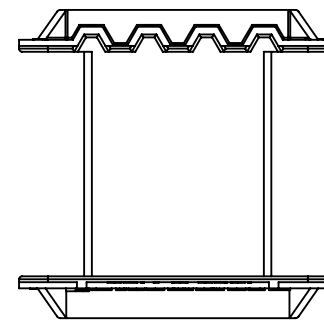
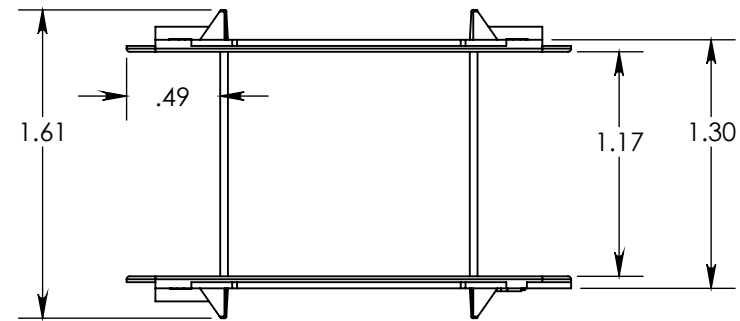
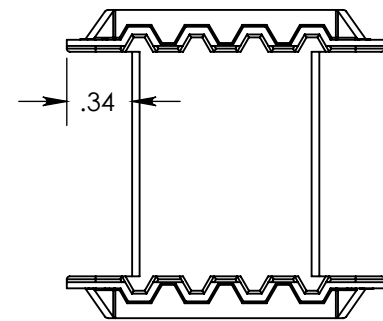
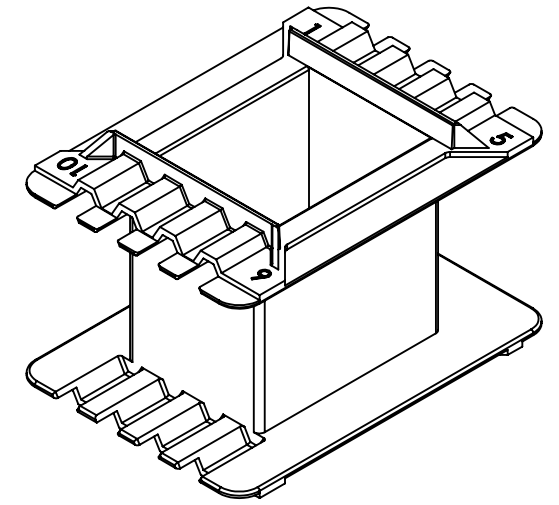
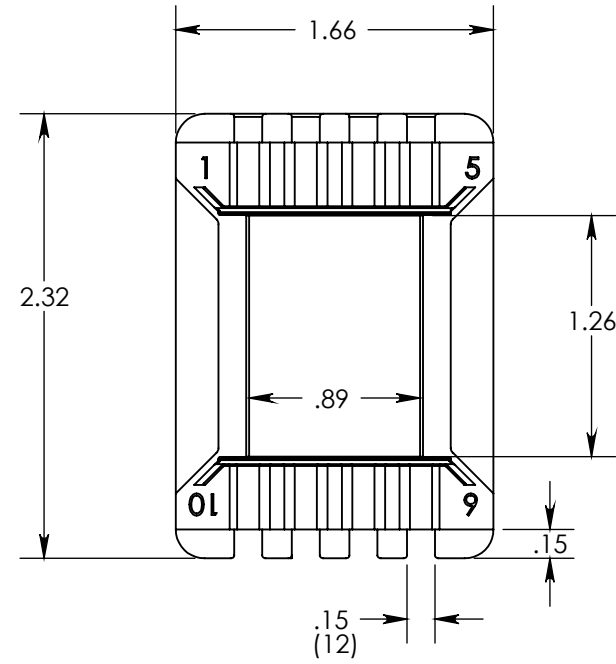


El 87 x 1-1/4
 5-6050 SL-SS
 Slotted, Single Section



All dimensions for reference only. Samples available upon request.
 Foremost Plastic Products Company, inc. Phone 1-708-452-5300
 E-Mail: sales@foremostplastic.com Fax 1-708-452-0446