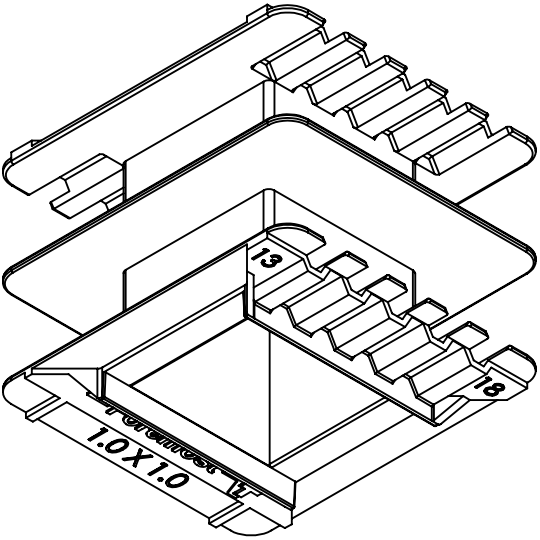
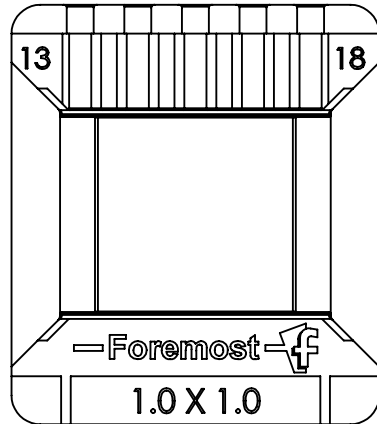
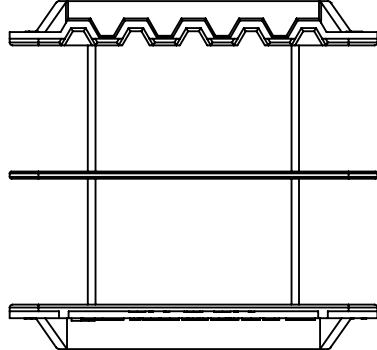
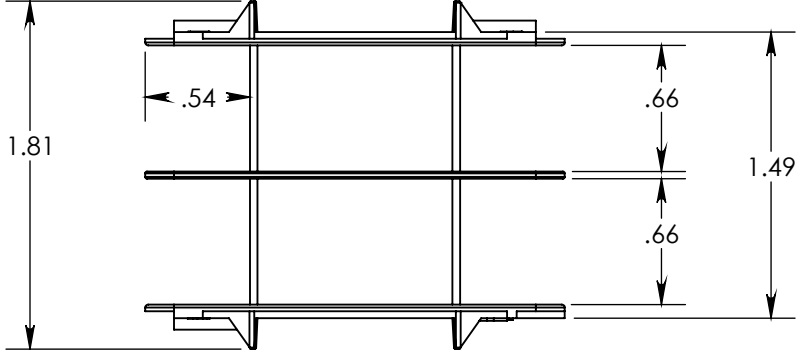
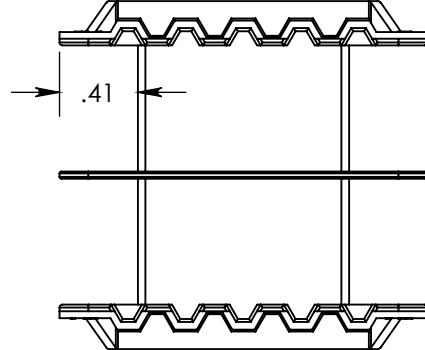
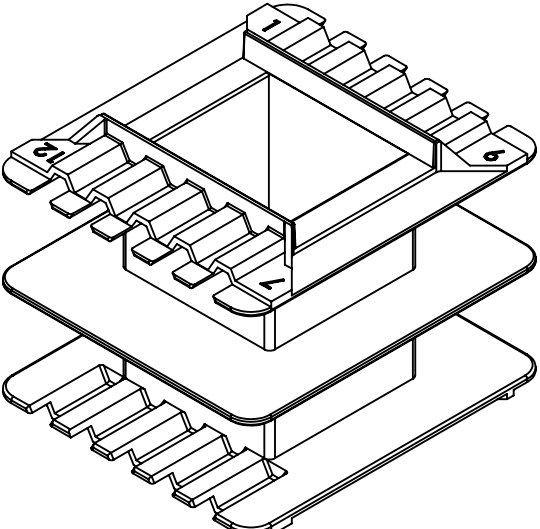
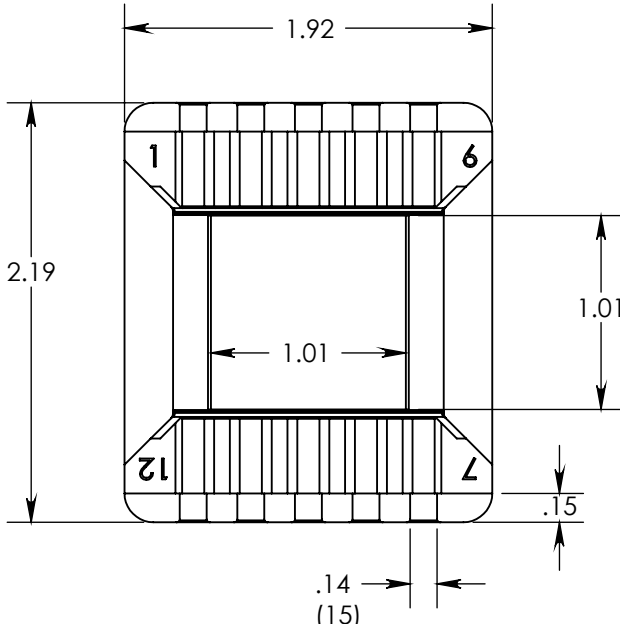


EI 100 x 1
 5-6061 SL-DS
 Slotted, **Double Section**



All dimensions for reference only. Samples available upon request.
 Foremost Plastic Products Company, inc. Phone 1-708-452-5300
 E-Mail: sales@foremostplastic.com Fax 1-708-452-0446