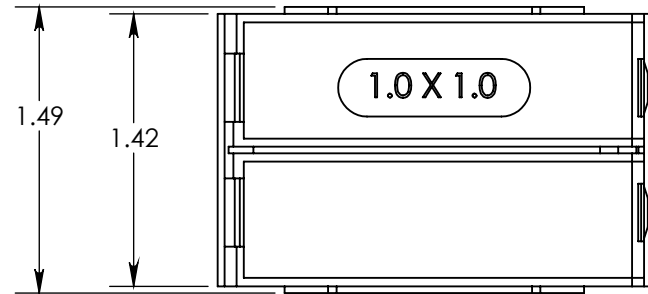
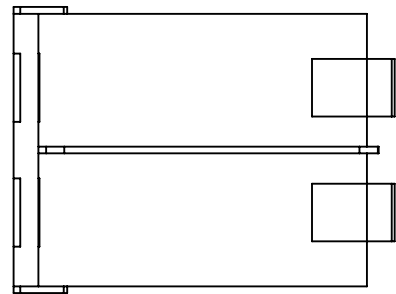
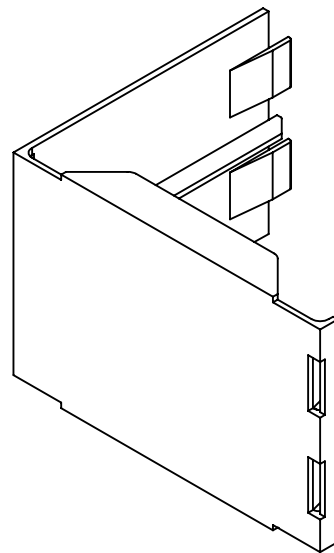
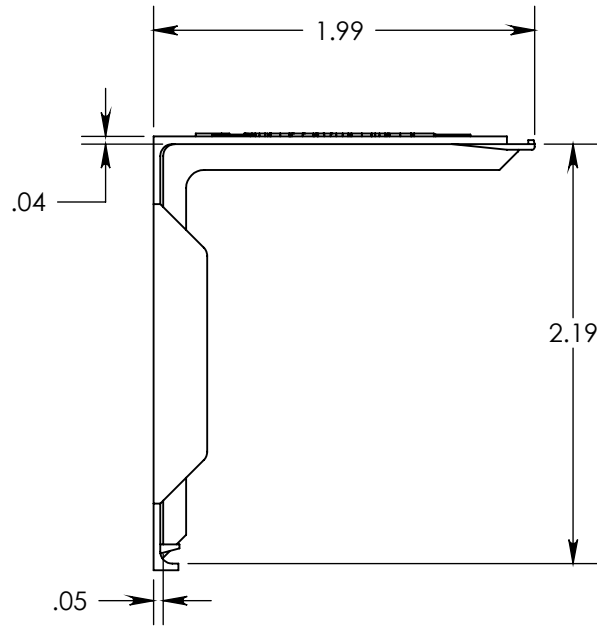
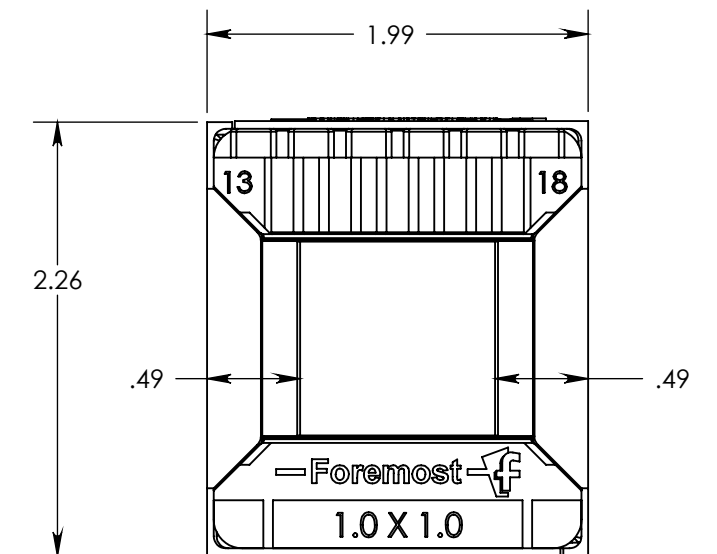
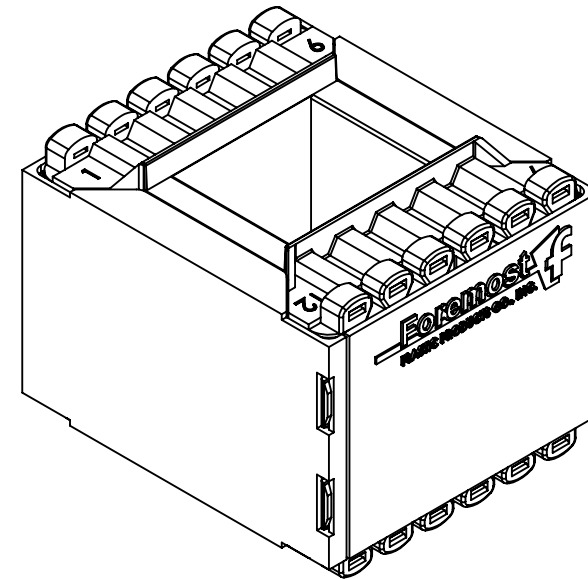
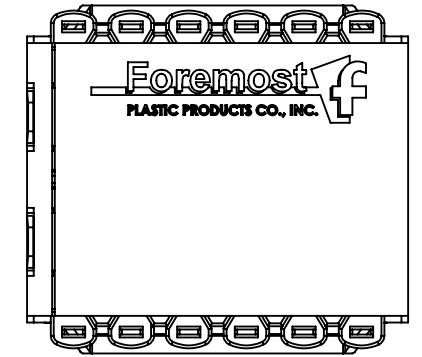
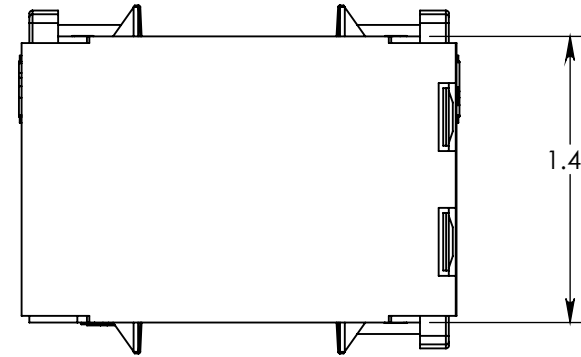


EI 100 x 1
5-6069



5-6067 and 6069
assembled



All dimensions for reference only. Samples available upon request.
Foremost Plastic Products Company, inc. Phone 1-708-452-5300
E-Mail: sales@foremostplastic.com Fax 1-708-452-0446