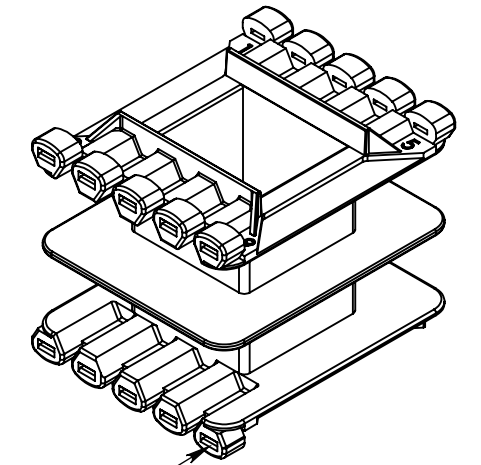
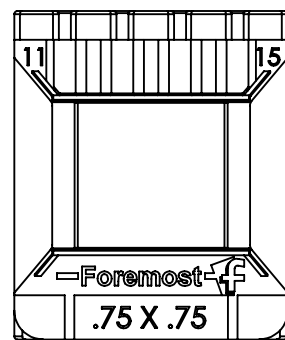
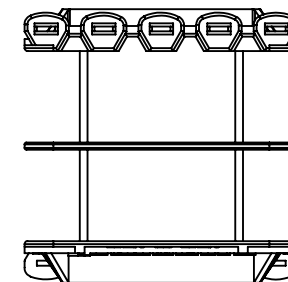
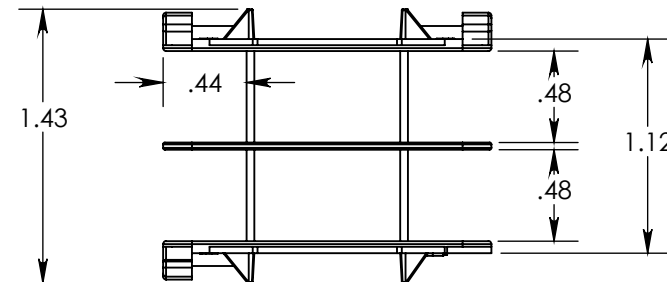
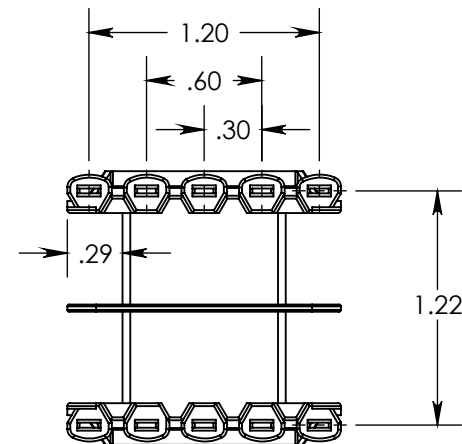
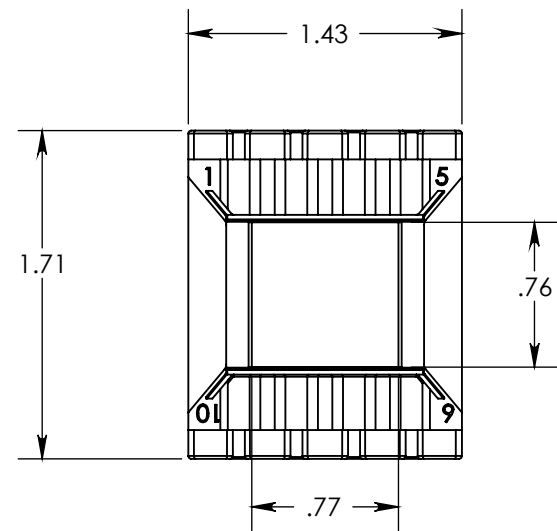
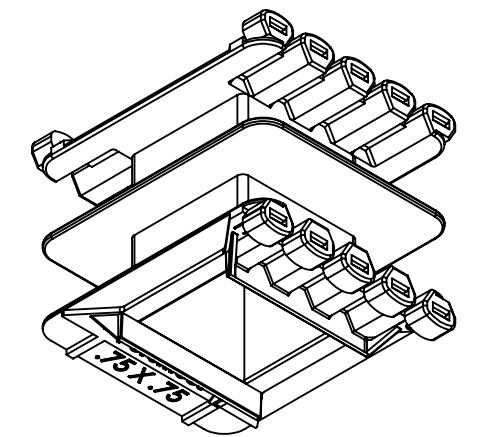


EI 75 x 3/4
A-6016 T-DS P-900X
Terminated, **Double Section**



15 pin pockets accepting:
Solder terminal (P-9002)
PC terminal (P-9003)
.110 disconnect (P-9009)



All dimensions for reference only. Samples available upon request.
Foremost Plastic Products Company, inc. Phone 1-708-452-5300
E-Mail: sales@foremostplastic.com Fax 1-708-452-0446